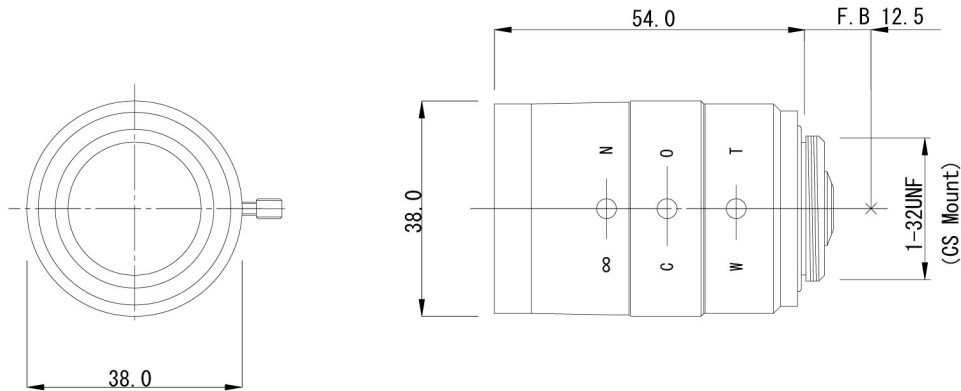




TEK212M



SPECIFICATION	
FORMAT	1/3"
MOUNT	CS MOUNT
FOCAL LENGTH	2.8-12mm
IRIS RANGE	F1.4 - CLOSE
ANGLE OF VIEW	(1/3") 115.2 (D) x 92.2 (H) x 69.1 (V)° (WIDE) 28.5 (D) x 22.8 (H) x 17.2 (V)° (TELE)
M.O.D.	0.3 M
BACK FOCAL LENGTH	6.72mm
FLANGE BACK LENGTH	12.5 mm
DIMENSIONS	Φ38.0 x 54.0 mm
WEIGHT	Approx. 70g
OPERATION	<IRIS> MANUAL WITH LOCK SCREW <FOCUS> MANUAL WITH LOCK SCREW <ZOOM> MANUAL WITH LOCK SCREW
OPERATING TEMPERATURE	-10 - +50°C

Specifications are subject to change without notice.

TEKSTAR Optical Inc.

270 KOHR RD
KINGS PARK, NY 11754-1237
Toll Free: 888-LENS-GUY (888-536-7489)
Phone: 631-663-3558
Toll Free Fax: 1-888-CCTVFX1
Fax: 631-269-5368
E-mail: info@tekstaroptical.com
www.tekstaroptical.com