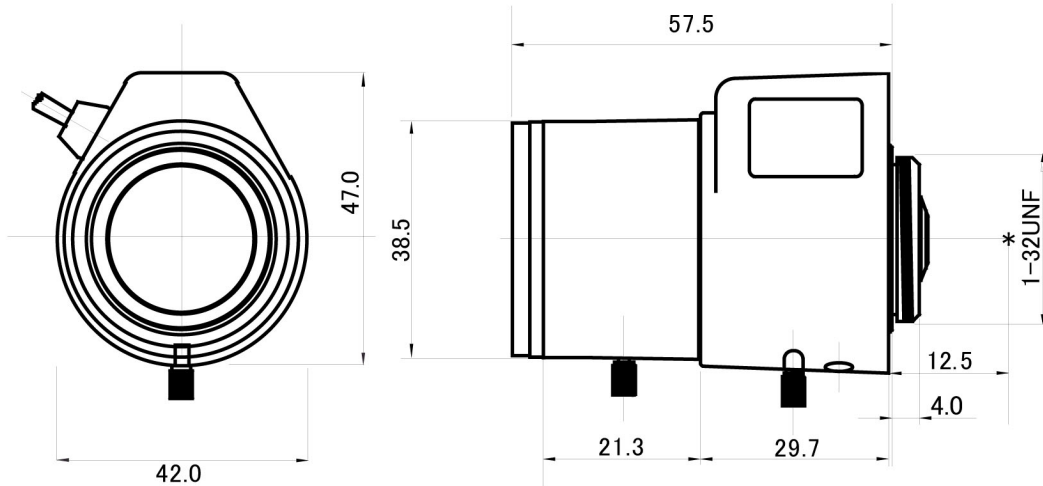




2.5-15mm DCIR

IR ASPHERICAL VARIFOCAL DAY/NIGHT CAMERA APPROVED



SPECIFICATION		
FORMAT	1/3"	
MOUNT	CS MOUNT	
FOCAL LENGTH	2.5-15mm	
IRIS RANGE	F1.4 - 360	
ANGLE OF VIEW	(1/3") 128.7° (D) x 104.3° (H) x 78.8° (V) (WIDE) 23.8° (D) x 19.0° (H) x 14.3° (V) (TELE)	
WAVE LENGTH RANGE	Approx.400 - 900nm	
M.O.D.	0.3 M	
BACK FOCAL LENGTH	6.24mm	
FLANGE BACK LENGTH	12.5 mm	
DIMENSIONS	38.5 (W) x 47.0(H) x 57.5 (L) mm	
WEIGHT	Approx.71 g	
OPERATION	<IRIS> AUTO (DC) DRIVING COIL : 190Ω ± 10% (20°C) CLOSE-OPEN less than 4.0V OPEN-CLOSE more than 0.5V DUMPING COIL : 1150Ω ± 10% (20°C) RESPOND SPEED : 3.0sec. or less	
	<FOCUS> MANUAL WITH LOCK SCREW	
	<ZOOM> MANUAL WITH LOCK SCREW	
OPERATING TEMPERATURE	-10 - +50°C	
COMMENTS	APPLICABLE WAVELENGTH : 400nm~900nm	
[CABLE CONNECTION]		
<4 CORE CABLE FOR AUTO-IRIS >		
WHITE	DRIVE (+)	OPEN
GREEN	DRIVE (-)	
BLACK	DAMP (+)	OPEN
RED	DAMP (-)	

Specifications are subject to change without notice.

TEKSTAR Optical Inc.

270 KOHR RD
KINGS PARK, NY 11754-1237
Toll Free: 888-LENS-GUY (888-536-7489)
Phone: 631-663-3558
Toll Free Fax: 1-888-CCTVFX1
Fax: 631-269-5368
E-mail: info@tekstaroptical.com
www.tekstaroptical.com