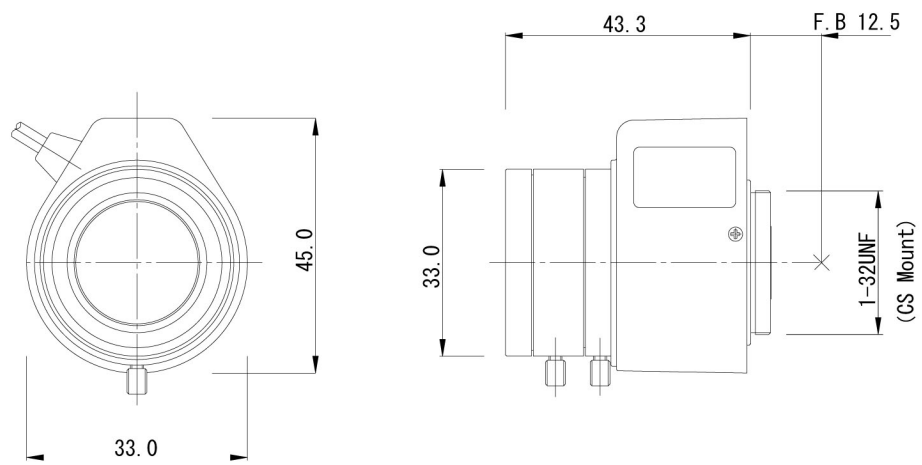




TEK256DCIR

IR VARIFOCAL DAY/NIGHT CAMERA APPROVED



SPECIFICATION		
FORMAT		1/3"
MOUNT		CS MOUNT
FOCAL LENGTH		2.5 - 6.0 mm
IRIS RANGE		F1.4 - 360
ANGLE OF VIEW	(1/3")	132.0° (D) x 108.2° (H) x 82.9° (V) (WIDE) 56.9° (D) x 45.7° (H) x 34.3° (V) (TELE)
WAVE LENGTH RANGE		Approx.400 - 900nm
M.O.D.		0.3 M
BACK FOCAL LENGTH		6.24mm
FLANGE BACK LENGTH		12.5 mm
DIMENSIONS		33.0 (W) x 45.0 (H) x 43.3 (L) mm
WEIGHT		Approx.51 g
OPERATION	<IRIS> AUTO (DC)	DRIVING COIL : 190Ω ± 10% (20°C) CLOSE-OPEN less than 4.0V OPEN-CLOSE more than 0.5V
	<FOCUS> MANUAL	DUMPING COIL : 1150Ω ± 10% (20°C)
	<ZOOM> MANUAL	RESPOND SPEED : 3.0sec. or less
		WITH LOCK SCREW
		WITH LOCK SCREW
OPERATING TEMPERATURE		-10 - +50°C
COMMENTS		APPLICABLE WAVELENGTH : 400nm~900nm

Specifications are subject to change without notice.

TEKSTAR Optical Inc.

270 KOHR RD
KINGS PARK, NY 11754-1237
Toll Free: 888-LENS-GUY (888-536-7489)
Phone: 631-663-3558
Toll Free Fax: 1-888-CCTVFX1
Fax: 631-269-5368
E-mail: info@tekstaroptical.com
www.tekstaroptical.com