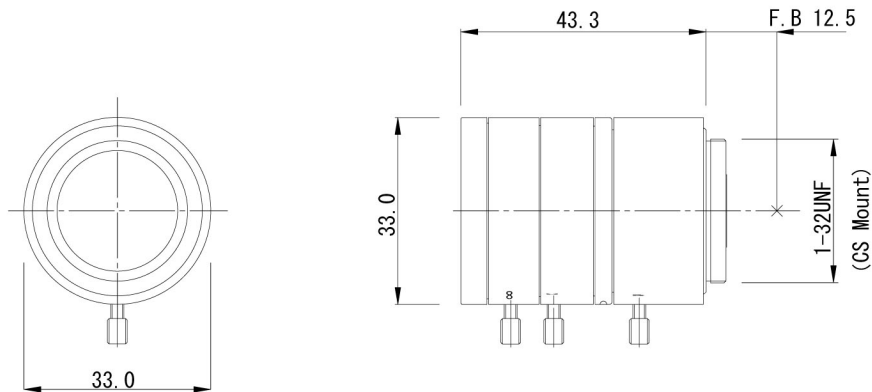




TEK256MIR

IR VARIFOCAL DAY/NIGHT CAMERA APPROVED



SPECIFICATION	
FORMAT	1/3"
MOUNT	CS MOUNT
FOCAL LENGTH	2.5 – 6.0 mm
IRIS RANGE	F1.4 – CLOSE
ANGLE OF VIEW	(1/3") 132.0° (D) x 108.2° (H) x 82.9° (V) (WIDE) 56.9° (D) x 45.7° (H) x 34.3° (V) (TELE)
WAVE LENGTH RANGE	Approx.400 – 900nm
M.O.D.	0.3 M
BACK FOCAL LENGTH	6.24mm
FLANGE BACK LENGTH	12.5 mm
DIMENSIONS	Φ33.0 x 43.3 mm
WEIGHT	Approx. 40 g
OPERATION	<IRIS> MANUAL WITH LOCK SCREW <FOCUS> MANUAL WITH LOCK SCREW <ZOOM> MANUAL WITH LOCK SCREW
OPERATING TEMPERATURE	-10 – +50°C
COMMENTS	APPLICABLE WAVELENGTH : 400nm~900nm

Specifications are subject to change without notice.

TEKSTAR Optical Inc.

270 KOHR RD
KINGS PARK, NY 11754-1237
Toll Free: 888-LENS-GUY (888-536-7489)
Phone: 631-663-3558
Toll Free Fax: 1-888-CCTVFX1
Fax: 631-269-5368
E-mail: info@tekstaroptical.com
www.tekstaroptical.com