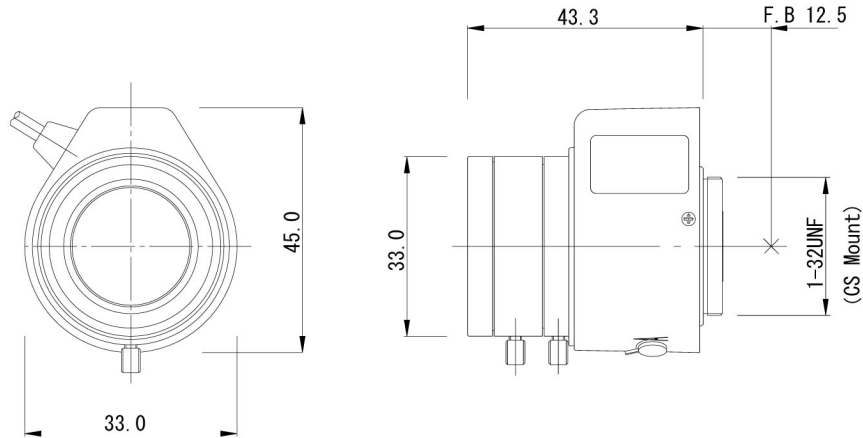




## TEK256VIR

### IR VARIFOCAL DAY/NIGHT CAMERA APPROVED



SPECIFICATION		
FORMAT	1/3"	
MOUNT	CS MOUNT	
FOCAL LENGTH	2.5 - 6.0 mm	
IRIS RANGE	F1.4 - 360	
ANGLE OF VIEW (1/3")	132.0° (D) x 108.2° (H) x 82.9° (V) ( WIDE ) 56.9° (D) x 45.7° (H) x 34.3° (V) ( TELE )	
WAVE LENGTH RANGE	Approx.400 - 900nm	
M.O.D.	0.3 M	
BACK FOCAL LENGTH	6.24mm	
FLANGE BACK LENGTH	12.5 mm	
DIMENSIONS	33.0 (W) x 45.0 (H) x 43.3 (L) mm	
WEIGHT	Approx.53 g	
OPERATION < IRIS >	AUTO (VIDEO)	
	INPUT VOLTAGE : DC8 - 16V, MAX. 30 mA	
	INPUT SIGNAL : VIDEO SIGNAL ( V or VS )	
	INPUT IMPEDANCE : HIGH IMPEDANCE	
	SENSITIVITY ADJUSTMENT : 0.5 - 1.0 V <sub>p-p</sub>	
	RESPOND SPEED : 3.0sec. or less	
	<FOCUS> MANUAL WITH LOCK SCREW	
	<ZOOM> MANUAL WITH LOCK SCREW	
OPERATING TEMPERATURE	-10 - +50°C	
COMMENTS	APPLICABLE WAVELENGTH : 400nm~900nm	
[ CABLE CONNECTION ]		
< 4 CORE CABLE FOR AUTO-IRIS >		
WHITE	VIDEO SIGNAL	0.5 - 1.0V <sub>p-p</sub>
RED	POWER (+)	DC8 - 16V
BLACK	POWER (-)	GND
GREEN	NC	

Specifications are subject to change without notice.

**TEKSTAR Optical Inc.**

270 KOHR RD  
KINGS PARK, NY 11754-1237  
Toll Free: 888-LENS-GUY (888-536-7489)  
Phone: 631-663-3558  
Toll Free Fax: 1-888-CCTVFX1  
Fax: 631-269-5368  
E-mail: info@tekstaroptical.com  
www.tekstaroptical.com