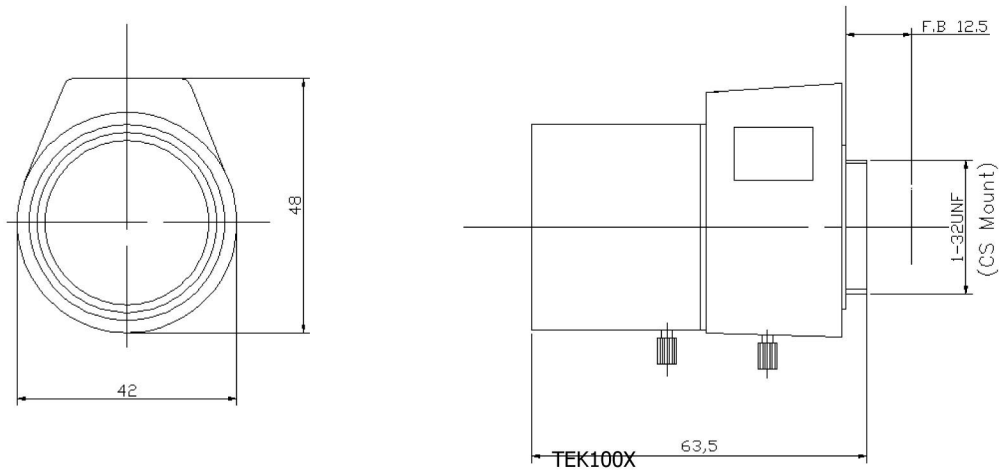




## TEK2812DC



SPECIFICATION		
FORMAT		1/3"
MOUNT		CS
FOCAL LENGTH <sup>φ</sup>		2.8-12mm
IRIS RANGE <sup>φ</sup>		F1.4-CLOSE
ANGLE OF VIEW	(1/3" )	115.2° ---28.5°
M.O.D. <sup>φ</sup>		0.2M
BACK FOCAL LENGTH		6.72mm <sup>φ</sup>
FLANGE BACK LENGTH		12.5mm <sup>φ</sup>
DIMENSIONS		40.7 (W) × 63.6 (H) × 63.6 (L) mm
WEIGHT <sup>φ</sup>		Approx. 110g
OPERATION <sup>φ</sup>	<IRIS> AUTO IRIS	DIRECT DRIVER
	<FOCUS> MANUAL	WITH LOCK SCREW
	<ZOOM> MANUAL	WITH LOCK SCREW
OPERATING TEMPERATURE		-10-+50°C
Specifications are subject to change without notice.		

**TEKSTAR Optical Inc.**

270 KOHR RD  
 KINGS PARK, NY 11754-1237  
**Toll Free:** 888-LENS-GUY (888-536-7489)  
**Phone:** 631-663-3558  
**Toll Free Fax:** 1-888-CCTVFX1  
**Fax:** 631-269-5368  
**E-mail:** info@tekstaroptical.com  
 www.tekstaroptical.com