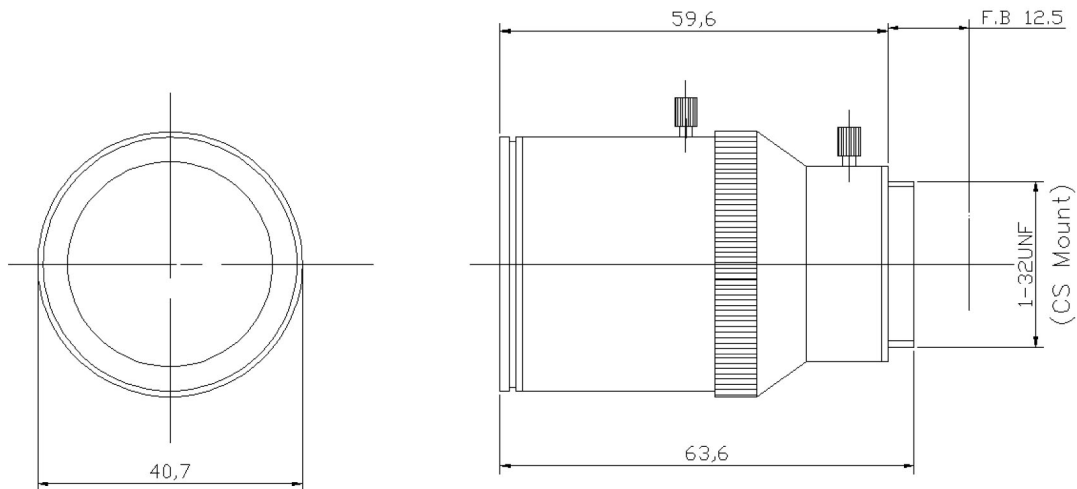




TEK2812M



SPECIFICATION		
FORMAT		1/3" \varnothing
MOUNT		CS \varnothing
FOCAL LENGTH		2.8-12mm \varnothing
IRIS RANGE		F1.4-CLOSE \varnothing
ANGLE OF VIEW (1/3") \varnothing		115.2° ---28.5° \varnothing
M.O.D. \varnothing		0.2M \varnothing
BACK FOCAL LENGTH \varnothing		6.72mm \varnothing
FLANGE BACK LENGTH \varnothing		12.5mm \varnothing
DIMENSIONS \varnothing		Φ 40.7 \times 63.6(L)mm \varnothing
WEIGHT \varnothing		Approx. 120g \varnothing
OPERATION \varnothing	<IRIS> MANUAL \varnothing	\varnothing
	<FOCUS> MANUAL \varnothing	WITH LOCK SCREW \varnothing
	<ZOOM> MANUAL \varnothing	WITH LOCK SCREW \varnothing
OPERATING TEMPERATURE \varnothing		-10+50°C \varnothing
Specifications are subject to change without notice. \varnothing		

TEKSTAR Optical Inc.

270 KOHR RD
 KINGS PARK, NY 11754-1237
Toll Free: 888-LENS-GUY (888-536-7489)
Phone: 631-663-3558
Toll Free Fax: 1-888-CCTVFX1
Fax: 631-269-5368
E-mail: info@tekstaroptical.com
 www.tekstaroptical.com