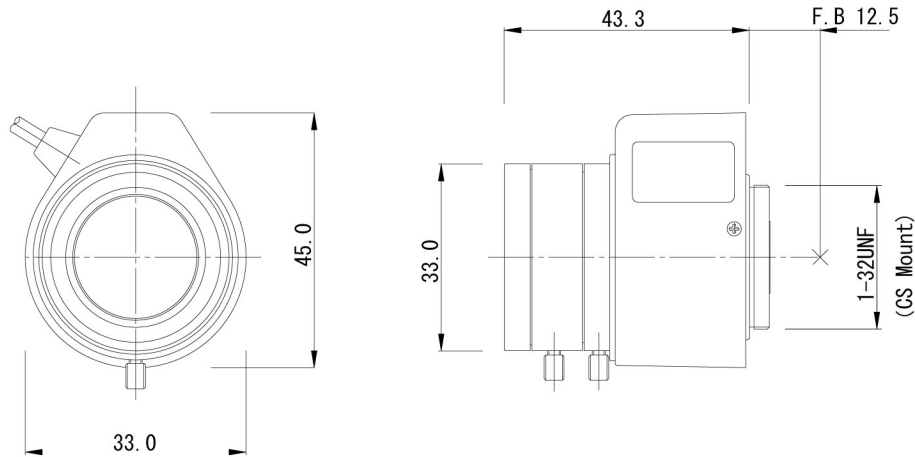




## TEK308DCIR

### IR VARIFOCAL DAY/NIGHT CAMERA APPROVED



SPECIFICATION																						
FORMAT	1/3"																					
MOUNT	CS MOUNT																					
FOCAL LENGTH	3.3 – 8.0 mm																					
IRIS RANGE	F1.4 – 360																					
ANGLE OF VIEW	(1/3") 101.5° (D) x 81.1° (H) x 60.4° (V) ( WIDE ) 43.3° (D) x 34.5° (H) x 25.8° (V) ( TELE )																					
WAVE LENGTH RANGE	Approx.400 – 900nm																					
M.O.D.	0.3 M																					
BACK FOCAL LENGTH	8.81mm																					
FLANGE BACK LENGTH	12.5 mm																					
DIMENSIONS	33.0 (W) x 45.0 (H) x 43.3 (L) mm																					
WEIGHT	Approx.47 g																					
OPERATION	<table border="0"> <tr> <td>&lt;IRIS&gt;</td> <td>AUTO</td> <td>DRIVING COIL : 190Ω ± 10% (20°C)</td> </tr> <tr> <td></td> <td>(DC)</td> <td>CLOSE-OPEN less than 4.0V</td> </tr> <tr> <td></td> <td></td> <td>OPEN-CLOSE more than 0.5V</td> </tr> <tr> <td></td> <td></td> <td>DUMPING COIL : 1150Ω ± 10% (20°C)</td> </tr> <tr> <td></td> <td></td> <td>RESPOND SPEED : 3.0sec. or less</td> </tr> <tr> <td></td> <td>&lt;FOCUS&gt; MANUAL</td> <td>WITH LOCK SCREW</td> </tr> <tr> <td></td> <td>&lt;ZOOM&gt; MANUAL</td> <td>WITH LOCK SCREW</td> </tr> </table>	<IRIS>	AUTO	DRIVING COIL : 190Ω ± 10% (20°C)		(DC)	CLOSE-OPEN less than 4.0V			OPEN-CLOSE more than 0.5V			DUMPING COIL : 1150Ω ± 10% (20°C)			RESPOND SPEED : 3.0sec. or less		<FOCUS> MANUAL	WITH LOCK SCREW		<ZOOM> MANUAL	WITH LOCK SCREW
<IRIS>	AUTO	DRIVING COIL : 190Ω ± 10% (20°C)																				
	(DC)	CLOSE-OPEN less than 4.0V																				
		OPEN-CLOSE more than 0.5V																				
		DUMPING COIL : 1150Ω ± 10% (20°C)																				
		RESPOND SPEED : 3.0sec. or less																				
	<FOCUS> MANUAL	WITH LOCK SCREW																				
	<ZOOM> MANUAL	WITH LOCK SCREW																				
OPERATING TEMPERATURE	-10 – +50°C																					
COMMENTS	APPLICABLE WAVELENGTH : 400nm~900nm																					

Specifications are subject to change without notice.

**TEKSTAR Optical Inc.**

270 KOHR RD  
KINGS PARK, NY 11754-1237  
Toll Free: 888-LENS-GUY (888-536-7489)  
Phone: 631-663-3558  
Toll Free Fax: 1-888-CCTVFX1  
Fax: 631-269-5368  
E-mail: info@tekstaroptical.com  
www.tekstaroptical.com