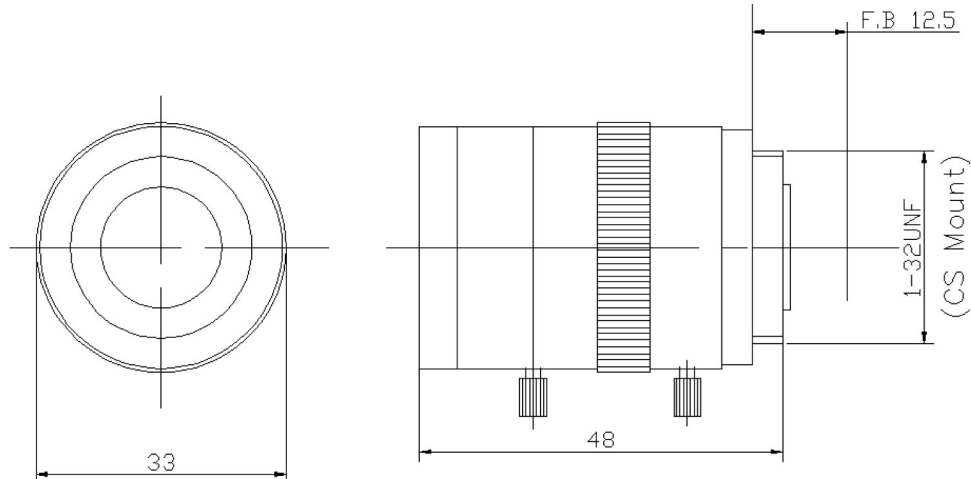




TEK358M



SPECIFICATION		
FORMAT	1/3" \varnothing	
MOUNT	CS \varnothing	
FOCAL LENGTH	3.5-8mm \varnothing	
IRIS RANGE	F1.4-CLOSE \varnothing	
ANGLE OF VIEW (1/3")	105° ---43.3° \varnothing	
M.O.D.	0.2M \varnothing	
BACK FOCAL LENGTH	6.72mm \varnothing	
FLANGE BACK LENGTH	12.5mm \varnothing	
DIMENSIONS	\varnothing 33 \times 48 (L) mm \varnothing	
WEIGHT	Approx. 60g \varnothing	
OPERATION	<IRIS> MANUAL \varnothing	
	<FOCUS> MANUAL \varnothing	WITH LOCK SCREW \varnothing
	<ZOOM> MANUAL \varnothing	WITH LOCK SCREW \varnothing
OPERATING TEMPERATURE	-10-+50°C \varnothing	
Specifications are subject to change without notice. \varnothing		

TEKSTAR Optical Inc.

270 KOHR RD
 KINGS PARK, NY 11754-1237
Toll Free: 888-LENS-GUY (888-536-7489)
Phone: 631-663-3558
Toll Free Fax: 1-888-CCTVFX1
Fax: 631-269-5368
E-mail: info@tekstaroptical.com
 www.tekstaroptical.com