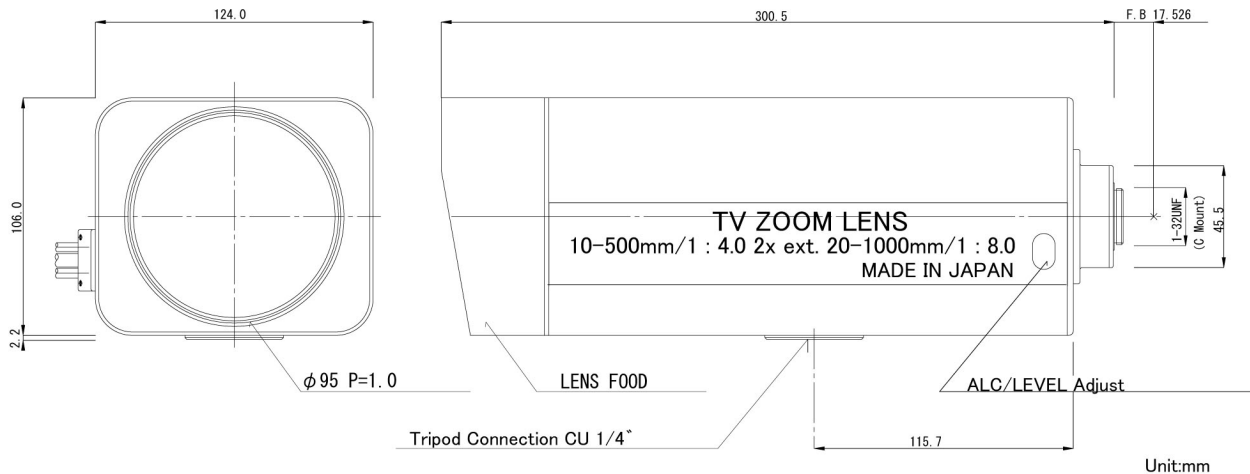




TEK50XM/TEK50XMP



SPECIFICATION					
FORMAT	1/2"				
MOUNT	C MOUNT				
FOCAL LENGTH	10 - 500 mm				
IRIS RANGE	F4.0 - 125 / option:F4.0-360				
ANGLE OF VIEW	(1/2") 43.6 (D) x 35.5 (H) x 27.0 (V) ^o (WIDE) 0.9 (D) x 0.7 (H) x 0.6 (V) ^o (TELE)				
	(1/3") 33.6 (D) x 27.0 (H) x 20.7 (V) ^o (WIDE) 0.7 (D) x 0.6 (H) x 0.4 (V) ^o (TELE)				
M.O.D.	4.0 M				
BACK FOCAL LENGTH	62.67 mm				
FLANGE BACK LENGTH	17.526 mm				
FILTER SCREW SIZE	M95 P = 1				
DIMENSIONS	124.0 (W) x 106.0 (H) x 300.5 (L) mm				
WEIGHT	3200g				
OPERATION	< IRIS > MOTORIZED CONTROL VOLTAGE : DC6-12 V, MAX.40mA(6V) MOTORIZATION SPEED : Approx. 4.5sec.(6V)				
	<ZOOM> MOTORIZED CONTROL VOLTAGE : DC6-12 V, MAX.50mA(6V) MOTORIZATION SPEED : Approx. 8.0sec.(6V)				
	<FOCUS> MOTORIZED CONTROL VOLTAGE : DC6-12 V, MAX.50mA(6V) MOTORIZATION SPEED : Approx. 13.0sec.(6V)				
OPERATING TEMPERATURE	-10 - +50°C				
[CABLE CONNECTION]					
< 10 CORE CABLE FOR ZOOM, FOCUS AND IRIS >					
YELLOW	ZOOM (+)	TELE	BROWN	IRIS (-)	
RED	ZOOM		BLUE	NC	
GREEN	FOCUS (+)	NEAR	GRAY	NC	
BLACK	FOCUS		ORANGE	NC	
WHITE	IRIS (+)		PURPLE	NC	
< 4 CORE CABLE FOR ZOOM AND FOCUS PRESETS >					
RED	POT SUPPLY	POWER (+)			
GREEN	FOCUS OUT				
WHITE	ZOOM OUT				
BLACK	POT RETURN	POWER (-)			

Specifications are subject to change without notice.

TEKSTAR Optical Inc.

270 KOHR RD
KINGS PARK, NY 11754-1237
Toll Free: 888-LENS-GUY (888-536-7489)
Phone: 631-663-3558
Toll Free Fax: 1-888-CCTVFX1
Fax: 631-269-5368
E-mail: info@tekstaroptical.com
www.tekstaroptical.com