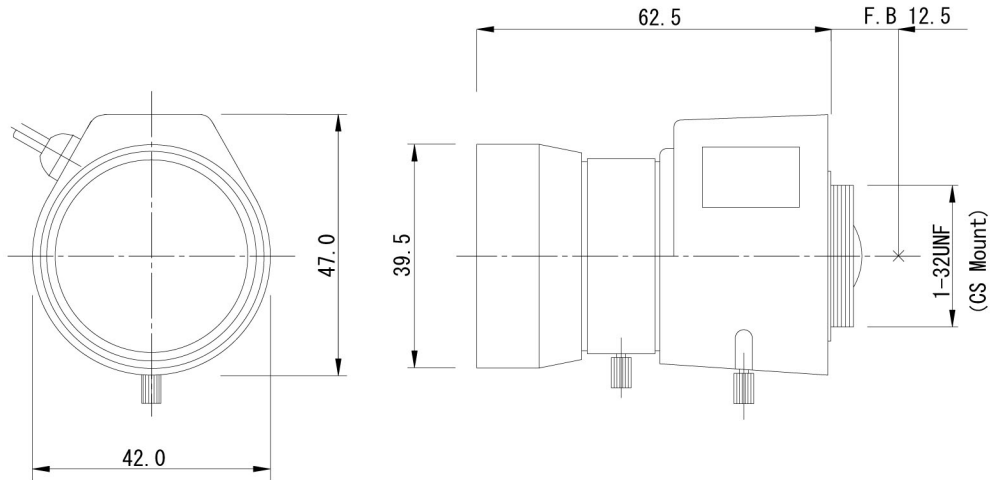




## TEK560DC



SPECIFICATION		
FORMAT		1/3"
MOUNT		CS MOUNT
FOCAL LENGTH		5.0-60 mm
IRIS RANGE		F1.6 - 360
ANGLE OF VIEW	(1/3")	65.5° (D) x 52.5° (H) x 39.4° (V) ( WIDE ) 5.8° (D) x 4.6° (H) x 3.4° (V) ( TELE )
M.O.D.		0.3 M
BACK FOCAL LENGTH		7.42mm
FLANGE BACK LENGTH		12.5 mm
DIMENSIONS		39.5 (W) x 47.0 (H) x 62.5 (L) mm
WEIGHT		Approx. 123 g
OPERATION	<IRIS> AUTO (DC)	DRIVING COIL : 190Ω ± 10% (20°C) CLOSE-OPEN less than 4.0V OPEN-CLOSE more than 0.5V DUMPING COIL : 1150Ω ± 10% (20°C) RESPOND SPEED : 3.0sec. or less
	<FOCUS> MANUAL	WITH LOCK SCREW
	<ZOOM> MANUAL	WITH LOCK SCREW
OPERATING TEMPERATURE		-10 - +50°C
[ CABLE CONNECTION ]		
<4 CORE CABLE FOR AUTO-IRIS >		
WHITE	DRIVE (+)	OPEN
GREEN	DRIVE (-)	
BLACK	DAMP (+)	OPEN
RED	DAMP (-)	

Specifications are subject to change without notice.

**TEKSTAR Optical Inc.**

270 KOHR RD  
KINGS PARK, NY 11754-1237  
**Toll Free:** 888-LENS-GUY (888-536-7489)  
**Phone:** 631-663-3558  
**Toll Free Fax:** 1-888-CCTVFX1  
**Fax:** 631-269-5368  
**E-mail:** info@tekstaroptical.com  
www.tekstaroptical.com