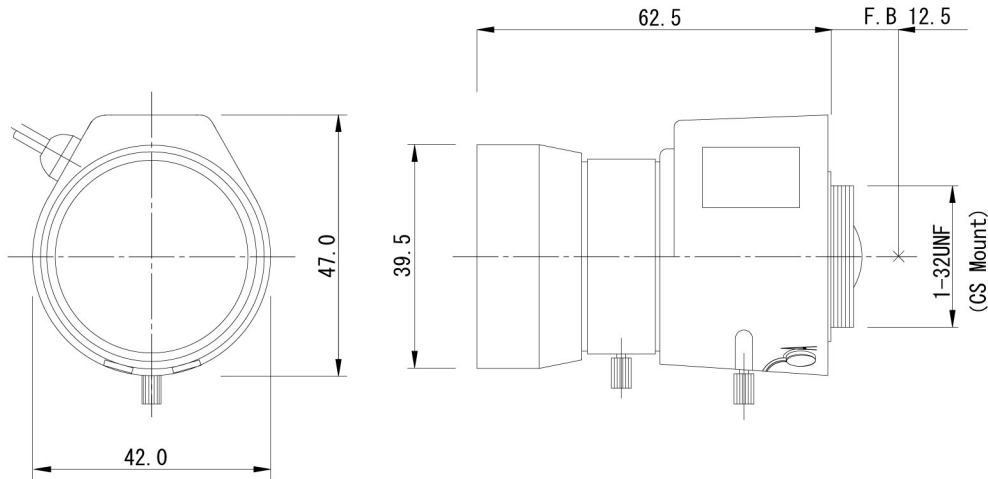




## TEK560V



SPECIFICATION		
FORMAT	1/3"	
MOUNT	CS MOUNT	
FOCAL LENGTH	5.0-60 mm	
IRIS RANGE	F1.6 - 360	
ANGLE OF VIEW	(1/3")	65.5° (D) x 52.5° (H) x 39.4° (V) ( WIDE ) 5.8° (D) x 4.6° (H) x 3.4° (V) ( TELE )
M.O.D.	0.3 M	
BACK FOCAL LENGTH	7.42mm	
FLANGE BACK LENGTH	12.5 mm	
DIMENSIONS	39.5 (W) x 47.0 (H) x 62.5 (L) mm	
WEIGHT	Approx. 125 g	
OPERATION	<IRIS> AUTO (VIDEO)	INPUT VOLTAGE : DC8 - 16V, MAX. 30 mA INPUT SIGNAL : VIDEO SIGNAL ( V or VS ) INPUT IMPEDANCE : HIGH IMPEDANCE SENSITIVITY ADJUSTMENT : 0.5 - 1.0 V <sub>p-p</sub> RESPOND SPEED : 3.0sec. or less
	<FOCUS> MANUAL	WITH LOCK SCREW
	<ZOOM> MANUAL	WITH LOCK SCREW
OPERATING TEMPERATURE	-10 - +50°C	
[ CABLE CONNECTION ]		
< 4 CORE CABLE FOR AUTO-IRIS >		
WHITE	VIDEO SIGNAL	0.5 - 1.0V <sub>p-p</sub>
RED	POWER (+)	DC8 - 16V
BLACK	POWER (-)	GND
GREEN	NC	

Specifications are subject to change without notice.

**TEKSTAR Optical Inc.**

270 KOHR RD  
KINGS PARK, NY 11754-1237  
**Toll Free:** 888-LENS-GUY (888-536-7489)  
**Phone:** 631-663-3558  
**Toll Free Fax:** 1-888-CCTVFX1  
**Fax:** 631-269-5368  
**E-mail:** info@tekstaroptical.com  
www.tekstaroptical.com