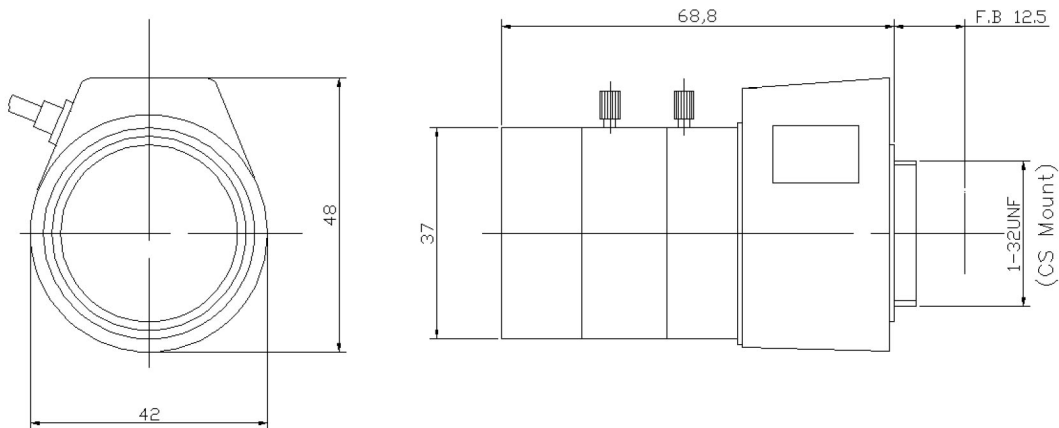




TEK660DC



SPECIFICATION [Ⓢ]		↻
FORMAT [†]		1/3" [Ⓢ]
MOUNT [‡]		CS [Ⓢ]
FOCAL LENGTH [Ⓢ]		6-60mm
IRIS RANGE [Ⓢ]		F1.6-CLOSE
ANGLE OF VIEW (1/3") [Ⓢ]		49.5° ---4.7°
M.O.D. [Ⓢ]		0.2M [Ⓢ]
BACK FOCAL LENGTH [Ⓢ]		6.72mm [Ⓢ]
FLANGE BACK LENGTH [Ⓢ]		12.5mm [Ⓢ]
DIMENSIONS [Ⓢ]		37(W)×48(H) ×68.8 (L) mm
WEIGHT [Ⓢ]		Approx. 140g [Ⓢ]
OPERATION [Ⓢ]	<IRIS> AUTO IRIS [Ⓢ]	DIRECT DRIVER [Ⓢ]
	<FOCUS> MANUAL [Ⓢ]	WITH LOCK SCREW [Ⓢ]
	<ZOOM> MANUAL [Ⓢ]	WITH LOCK SCREW [Ⓢ]
OPERATING TEMPERATURE [Ⓢ]		-10+50°C [Ⓢ]
Specifications are subject to change without notice. [Ⓢ]		

TEKSTAR Optical Inc.

270 KOHR RD
 KINGS PARK, NY 11754-1237
Toll Free: 888-LENS-GUY (888-536-7489)
Phone: 631-663-3558
Toll Free Fax: 1-888-CCTVFX1
Fax: 631-269-5368
E-mail: info@tekstaroptical.com
 www.tekstaroptical.com