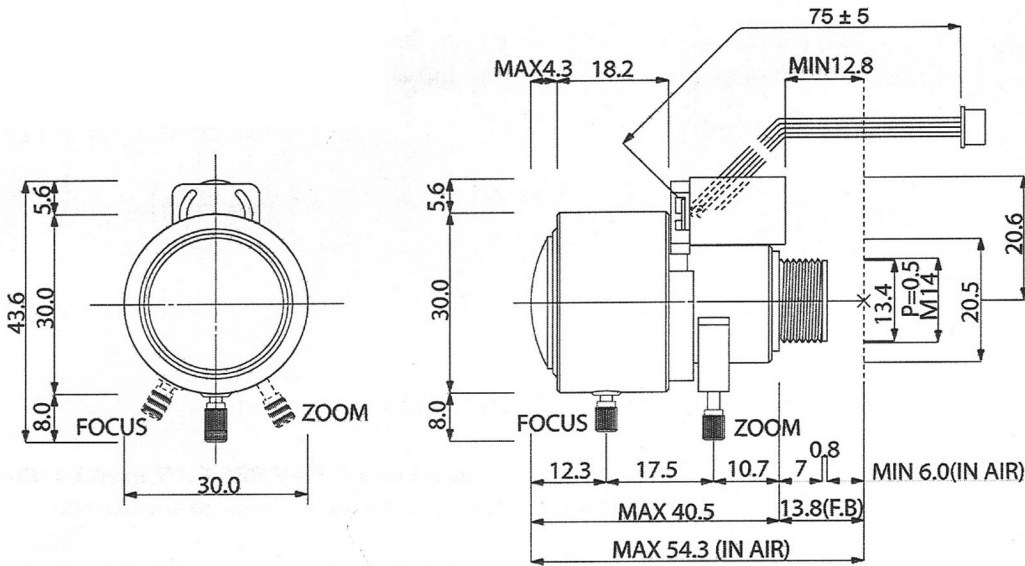




## TEKBV2812DCIR



Scale 1: 1

### Specifications

Model No.	TEKBV2812DCIR	Effective	Front	Φ20.8mm	
Focal Length	2.8 - 12mm	Lens Diameter	Rear	Φ6.3mm	
Max. Aperture Ratio	1:1.3 - 360	Back Focal Length	7.11mm - 17.50mm		
Max. Image Format	4.8mm x 3.6mm(1/3")	Flange Back Length	N/A		
Operation	Iris	Auto (F1.3-360)	Mount	M14 Screw or Φ14 Straight	
	Focus	Manual	Dimensions	Φ30mm x 35.6mm x 44mm	
	Zoom	Manual	Weight	25g	
Angle of View (1/3")	D	30.2 - 118.6	Operating	Open	Less than 4V
	H	23.6 - 96.0	Voltage	Close	More than 0.5V
	V	17.8 - 70.8	Operating Temperature	-10C - +50C	

Specifications subject to change without notice

### Wiring Diagram

1	Brown	Control (-)
2	Red	Control (+) 465Ω
3	Yellow	Drive (+) 190Ω
4	Orange	Drive (-)

Molex 4 pin connector 51021-0400

**TEKSTAR Optical Inc.**

270 KOHR RD  
KINGS PARK, NY 11754-1237  
Toll Free: 888-LENS-GUY (888-536-7489)  
Phone: 631-663-3558  
Toll Free Fax: 1-888-CCTVFX1  
Fax: 631-269-5368  
E-mail: info@tekstaroptical.com  
www.tekstaroptical.com